

Engineering Growth

VECTRA 175

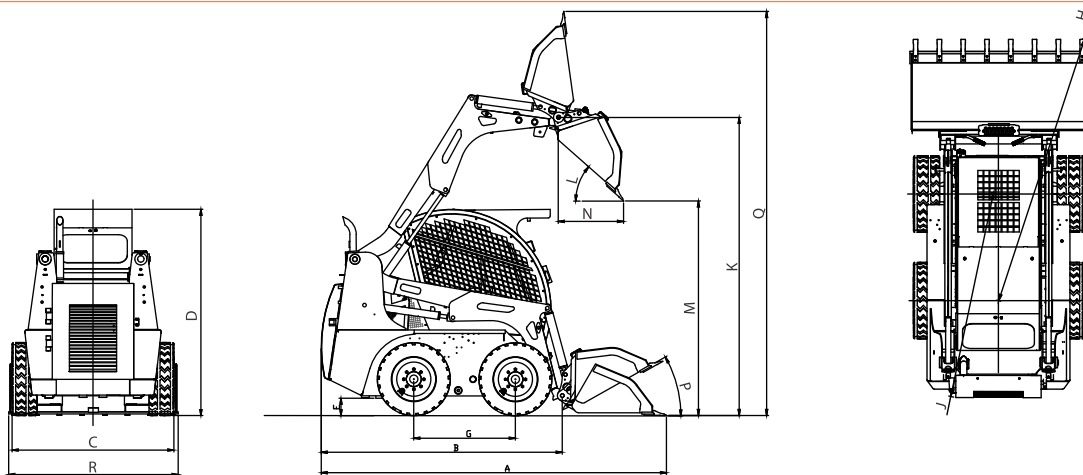
SKID STEER LOADER

ONE MAN ARMY



**VECTRA**

HEMAN 175 SKID STEER LOADER



DIMENSIONS

	mm/deg
A - Length with bucket	3475
B - Length without bucket	2570
C - Width with tyres	1650
D - Overall Height	2100
E - Ground clearance	190
F - Departure angle rear	26
G - Wheelbase	1023
H - Turning radius rear corner	2000
J - Turning radius bucket corner	2680
K - Pin height	3022
L - Dump angle	40
M - Dump Height	2210
N - Reach at dump height	642
P - Roll back angle at ground	28
Q - Max reach at full height	4000
R - Bucket width (Standard)	1708

FEATURES

Multi-disc parking brakes
 Gear drive
 Front cab access
 Fuel water trap
 Hydraulic parallel lift
 Adjustable seat
 Instruments audio/visual
 Instruments
 Dual element air cleaner
 Chassis-rigid fully welded high tensile steel structure
 Roof window for enhanced operating visibility.
 Rear window for emergency exit.
 Heavy duty gear boxes with slip-free gears.
 Axles of high ductile forgings, self lubricating.

Mechanical hitch for quick change of attachments.

Ergonomically designed seat, user friendly controls.
 Visual and audio warning to prevent system failures.
 Adequate inbuilt safety measures for operator/machine.
 Hydraulic tilt back cabin for maintenance ease.
 Easy to maintain and service with normal tools.

TRANSMISSION

Hydrostatic 4X4 independent drive through
 Tandem variable displacement axial pumps
 Fixed displacement low speed high torque gerola motors

Final drive through positive gear boxes

TYRES

Front/ rear	10X16.5-10/8PR
Max. travel speed	13 kmph

SPECIFICATION

SAE Operating weight	2900 Kgs
Standard bucket capacity	0.40 cum
Maximum lift height	2955 mm
Time to raise lift arms fully	3-5 Sec.
Breakout force-bucket	1885Nm
Breakout force-lift arm	1445Nm

STANDARD FEATURES

Auxiliary hydraulics
 Cab - swing up
 Tubeless tyres
 Key stop
 Lift arm stop
 Lifting eyes
 Working light
 Quick hitch
 Roof window
 Safety Seat belt
 Air Cleaner clog warning indicator
 Battery charge
 Charge pump pressure
 Coolant temperature gauge
 Engine oil pressure
 Fuel level gauge
 Hour counter
 Hydraulic oil temperature gauge
 Cabin light
 Rear window for emergency exit
 Hydraulic clog indicator
 Fuel clog indicator
 Cab with front door lock
 Rear view mirrors
 Wiper motor with wiper blade
 Cabin fan
 Head lights with side indicators
 Tool kit
 4 chamber tail lamps

HYDRAULICS

Engine driven gear pump with valve block, twin arms lift cylinder with end cushion and bucket cylinders.	
Flow (Liters per min)	80
Working pressure (bar)	175

ELECTRICALS

12 volts negative earth system with battery isolator	
Battery	130 AH
Low maintenance alternator	35Amp
Starter motor	12 V

BRAKES

Service brake: Hydraulically activated and released multi plate Fade free breaks from integral part of drive motors.
 Parking Brake: Electrically activated

CAPACITIES

Fuel system	62 Liters
Engine lub oil	9.5 Liters
Engine coolant	16 Liters
Transmission	14 Liters
Hydraulic system	70 Liters

PERFORMANCE

Rated operating capacity	600-750 Kgs
Tipping load	1200-1500 Kgs

ENGINE

BS III Model

Simpson S43 3 Industrial BS III, 35.79kW/ 48HP/ 48.67PS @2200rpm 4 Cylinder, Liquid Cooled, Diesel Engine, Naturally Aspirated

ATTACHMENTS

6 IN 1 Bucket
 Sweeper collector
 Ripper tooth
 Backhoe
 Excavator Bucket: 300mm,450mm,600mm & Ditch Cleaning bucket.
 Pallet Forks
 Industrial grappler
 Rock breaker
 Snow blower
 Steel tracks(Track over tyres)
 Rubber tracks (Track over tyres)
 Post hole borer/ Auger
 Shredder
 Snow Blade
 Stump Grinder
 Trencher
 Side Tip Bucket
 High Tip Bucket

OPTIONAL

Heavy duty tyres/ Solid tyres -Tubeless
 Buckets: Varying capacities upto 0.65 cum limited to machine rating operating capacity.
 Servo Variant also available

Note: All dimensions are variable within ± 1.5%. VAEPL reserves the right to change specifications without prior notice

VECTRA ADVANCED ENG. (P.) LTD.

Factory: Plot No. 22, Udyog Vihar, Greater Noida, P.O. Surajpur, Gautam Budh Nagar, Uttar Pradesh - 201 306, INDIA
 Phone : +91-120-474 6300-99 Fax : +91-120-474 6376,

Regd. Office: Vectra House, No. 15, 1st Main Road, 6th Cross, Gandhinagar, Bangalore - 560 009, India.
 Phone : +91-80-4129 0011, Fax : +91-80-4151 6422,

E-mail: marketing@vectraindia.co.in
www.vectradvanced.com